

**EXHIBIT A
ORDINANCE NO. O-2017-14**

CITY OF LAURINBURG, NORTH CAROLINA

**SCHEDULE R
RESIDENTIAL SERVICE**

AVAILABILITY

Available only to residential consumers for lighting, cooking, heating, refrigeration and incidental power service supplied to the individual residence or apartment, purchasing all of its power requirements from the City.

TYPE OF SERVICE

The City will furnish 60-cycle service through one meter, at one delivery point, at the following approximate voltage:

Single Phase, 120/240 Volts

SERVICE REGULATIONS

The applicable provisions of the current SERVICE REGULATIONS are made a part of this SCHEDULE.

RATE

Base Charge & Minimum	\$8.40
1st 1750 KWH	11.100¢ Per KWH
Above 1750 KWH	9.338¢ Per KWH

For Three Phase Service add \$6.74/month

PAYMENT

Payment under this SCHEDULE shall be in conformance with the "SERVICE REGULATIONS" as referenced above.

STATE SALES TAX

Sales Tax as imposed by the State of North Carolina will be shown as a separate item on each monthly bill.

This SCHEDULE was adopted by formal action of the City Council, City of Laurinburg, North Carolina, at the meeting on June 20, 2017; to be in effect for bills rendered on and after August 1, 2017.

**EXHIBIT A
ORDINANCE NO. O-2017-14**

CITY OF LAURINBURG, NORTH CAROLINA

SCHEDULES OPR
RESIDENTIAL TIME-OF-USE SERVICE

AVAILABILITY

This schedule is closed to new customers.

Available to Residential Consumers being served on Optional Rate Schedules OPJE or OPAL prior to the date of the effectiveness of this schedule.

Available only to Residential Consumers for lighting, cooking, heating, refrigeration and incidental power service supplied to the individual residence or apartment, purchasing all of its power requirements from the City.

These Schedules are not available with the additional benefits of any other load conservation program, switched load schedules, or other load management programs.

These rates are designed to provide customer benefits on an annual basis. Therefore, these Schedules cannot be selected by the customer on a seasonal (less than twelve months) basis. Customers withdraw from these Schedules, cannot reapply.

TYPE OF SERVICE

The City will furnish 60-cycle service through one meter, at one delivery point, at the following approximate voltage:

Single Phase, 120/240 Volts

SERVICE REGULATIONS

The applicable provisions of the current SERVICE REGULATIONS are made a part of this Schedule.

MONTHLY RATES

Base Charge	\$ 8.50
Off-Peak ¢/KWH	5.350 ¢
On-Peak ¢/KWH	44.000 ¢

ON-PEAK AND OFF-PEAK HOURS

On-Peak and Off-Peak KWH will be determined by meter reading separating the On-Peak and Off-Peak consumption as follows:

- A. Summer Period - For service during the calendar months (On-Peak) beginning April 1st and ending midnight October 15th
 - On-Peak Hours- between 2:00 PM and 6:00 PM Monday through Friday, excluding Holidays.
- B. Winter Period - For service during the calendar months (On-Peak) beginning midnight October 15th and ending March 31st
 - On-Peak Hours-between 7:00 AM and 10:00 AM Monday through Friday, excluding Holidays
- C. Summer/Winter - Periods not described above are Off-Peak (Off-Peak) periods including weekends and Holidays

The Holidays Are:

All hours for the following holidays will be considered Off-Peak : New Year's Day, Good Friday, Memorial Day, Independence Day, Labor Day, Thanksgiving Day and the day after, and Christmas Day. When one of the above holidays falls on a Saturday, the Friday before will be considered Off-Peak; when the holiday falls on a Sunday, the following Monday will be considered Off-Peak.

ADJUSTMENTS

The months of Summer/Winter seasons and the hours of Off-Peak and On-Peak usage may be adjusted to reflect changes in wholesale power supply contract provisions.

PAYMENT

Payment under this Schedule shall be in conformance with the "SERVICE REGULATIONS" as referenced above.

STATE SALES TAX

Sales Tax as imposed by the State of North Carolina will be shown as a separate item on each monthly bill.

This SCHEDULE was adopted by formal action of the City Council, City of Laurinburg, North Carolina, at the meeting on June 20, 2017; to be in effect for bills rendered on and after August 1, 2017.

EXHIBIT A
ORDINANCE NO. O-2017-14

CITY OF LAURINBURG, NORTH CAROLINA

SCHEDULE SG
SMALL COMMERCIAL AND INDUSTRIAL SERVICE

AVAILABILITY

Available only to commercial or industrial consumers for lighting, cooking, heating, refrigeration and other power service supplied to the individual store, commercial or industrial establishment purchasing all of its power requirements from the City, and having a demand less than 30 KW. When the demand exceeds 30 KW, or a previous past demand has exceeded 30 KW, SCHEDULE MG will apply.

Space shall be provided on the property for the installation of facilities necessary for the City to install the service equipment.

SERVICE REGULATIONS

The applicable provisions of the current SERVICE REGULATIONS are made a part of this SCHEDULE.

TYPE OF SERVICE

The City will furnish 60-cycle service through one meter at one of the following voltages:

Single phase, 120/240 volt

Three phase, 120/208 volt or three phase 277/480 volt, 4 wire
WYE connected circuit. (\$7.70 per month will be added to the bill).

(Prospective consumers should ascertain the available type of service by inquiry at the City Hall before purchasing equipment.)

Customers receiving three-phase service shall provide three phase protection. The City will not be liable for single phasing of any installation.

RATE

Base charge & Minimum	\$16.02
1st 2,000 KWH	12.793¢ per KWH
All above 2,000 KWH	9.313¢ per KWH

Plus \$7.70 Per Month for Three Phase Service

PAYMENT

Payment under this SCHEDULE shall be in conformance with the "SERVICE REGULATIONS" as referenced above.

STATE SALES TAX

Sales Tax as imposed by the State of North Carolina will be shown as a separate item on each monthly bill.

This SCHEDULE was adopted by formal action of the City Council, City of Laurinburg, North Carolina, at the meeting on June 20, 2017; to be in effect for bills rendered on and after August 1, 2017.

EXHIBIT A
ORDINANCE NO. O-2017-14

CITY OF LAURINBURG, NORTH CAROLINA

SCHEDULE MG
MEDIUM COMMERCIAL AND INDUSTRIAL SERVICE

AVAILABILITY

Available only to commercial consumers for lighting, cooking, heating, refrigeration, and other power service supplied to the individual store, commercial or industrial establishment purchasing all of its power requirements from the City, and having a demand greater than 30 KW.

Space shall be provided on the property for the installation of all facilities necessary for the City to install the service equipment.

The Utility will install primary service, and necessary transformation at a location on the customer's property which is mutually agreed upon. Such location may be adjacent to the building complex, but in any event, shall be on the near side of the complex toward the Utility's primary lines. Coordination of the secondary connection shall be mutually agreed upon. The Utility reserves the privilege of metering on either the primary or secondary side of the transformer.

Should the customer request underground service, the SERVICE REGULATIONS and other Regulations relative to underground service shall apply.

SERVICE REGULATIONS

The applicable provisions of the current SERVICE REGULATIONS are made a part of this SCHEDULE.

TYPE OF SERVICE

The City will furnish 60 cycle service through one meter at one of the following voltages:

Single phase, 120/240 volt

Three phase, 120/208 volt or three phase 277/480 volt, 4 wire WYE connected circuit.

Three phase, 14.4/24.9 KV, 4 wire WYE connected circuit.

(Prospective consumers should ascertain the available type of service by inquiry at the City Hall before purchasing equipment)

Customers shall provide three-phase protection. The City will not be liable for single phasing of any installation.

RATE

Minimum \$300.00

Demand Charge

\$ 300.00 for the first 30 KW Billing Demand
\$ 9.25 per KW next 20 KW Billing Demand
\$ 9.10 per KW for all above 50 KW Billing Demand

Energy Charge

6.989¢ per KWH for all the KWH

BILLING DEMAND

The Billing Demand shall be the maximum KW registered for the billing month on the demand meter during a 15 minute interval, but not less than 80% of the Demand Peak measured during the preceding 12 month period, or in no event less than 30 KW.

Where the power factor of the consumer's installation is less than 85%, the City may correct the KW demand for that month by multiplying by 85 and dividing by the actual power factor.

PAYMENT

Payment under this SCHEDULE shall be in conformance with the "SERVICE REGULATIONS" as referenced above.

STATE SALES TAX

Sales tax as imposed by the State of North Carolina will be shown as a separate item on each monthly bill.

This SCHEDULE was adopted by formal action of the City Council, City of Laurinburg, North Carolina, at the meeting on June 20, 2017; to be in effect for bills rendered on and after August 1, 2017.

EXHIBIT A
ORDINANCE NO. O-2017-14

CITY OF LAURINBURG, NORTH CAROLINA

SCHEDULE LG

LARGE COMMERCIAL AND INDUSTRIAL SERVICE

AVAILABILITY

Available only to commercial consumers for lighting, cooking, heating, refrigeration, and other power service supplied to the individual store, commercial or industrial establishment purchasing all of its power requirements from the City and having a demand greater than 1,000 KW.

Space shall be provided on the property for the installation of facilities necessary for the City to install the service equipment.

SERVICE REGULATIONS

The applicable provisions of the current SERVICE REGULATIONS are made a part of this SCHEDULE.

TYPE OF SERVICE

The City will furnish 60-cycle service through one meter at one of the following voltages:

Three phase, 120/208 volt or three phase 277/480 volt, 4 wire WYE connected circuit.

Three phase, 14.4/24.9 KV, 4 wire WYE connected circuit.

(Prospective consumers should ascertain the available type of service by inquiry at the City Hall before purchasing equipment.)

Customers shall provide three phase protection. The City will not be liable for single phasing of any installation.

The Utility will install primary service and necessary transformation at a location on the customer's property which is mutually agreed upon. Such location may be adjacent to the building complex, but in any event, shall be on the near side of the complex toward the Utility's primary lines. Coordination of the secondary connection shall be mutually agreed upon. The Utility reserves the privilege of metering on either the primary or secondary side of the transformer.

Should the customer request underground service, the Service Regulations and other Regulations relative to underground service shall apply.

RATE

Demand Charge

1 st 1,000 KW	\$15,500.00
All over 1,000 KW	\$14.30

Energy Charge

5.900 ¢ Per KWH for all the KWH

BILLING DEMAND

The Billing Demand shall be the maximum KW registered for the billing month on the demand meter during a 15 minute interval; but not less than 80% of the Demand Peak measured during the preceding 12 month period, or in no event less than 1,000 KW.

Where the power factor of the consumer's installation is less than 85%, the City may correct the KW demand for that month by multiplying by 85 and dividing by the actual power factor.

PAYMENT

Payment under this SCHEDULE shall be in conformance with the "SERVICE REGULATIONS" as referenced above.

STATE SALES TAX

Sales tax as imposed by the State of North Carolina will be shown as a separate item on each monthly bill.

This SCHEDULE was adopted by formal action of the City Council, City of Laurinburg, North Carolina, at the meeting on June 20, 2017; to be in effect for bills rendered on and after August 1, 2017.

EXHIBIT A
ORDINANCE NO. O-2017-14

CITY OF LAURINBURG, NORTH CAROLINA

SCHEDULE SCS
SMALL CHURCH AND SCHOOL SERVICE

AVAILABILITY

Available only for church use for lighting, cooking, heating, refrigeration, air conditioning, and other purposes associated with the normal operation, and having a demand less than 30 KW. When the demand exceeds 30 KW, or a previous past demand has exceeded 30 KW, SCHEDULE MCS (Churches) or MSS (Schools) will apply.

TYPE OF SERVICE

The City will furnish 60 cycle service through one meter at one of the following voltages:

Single phase, 120/240 volt

Three phase, 120/208 volt or three phase 277/480 volt, 4 wire WYE connected circuit (\$7.70 per month will be added to the bill for 3Ø service).

Customers receiving three-phase service shall provide three phase protection. The City will not be liable for single phasing of any installation.

Prospective consumers should ascertain the available type of service by inquiry at the City Hall before purchasing equipment.

SERVICE REGULATIONS

The applicable provisions of the current SERVICE REGULATIONS are made a part of this SCHEDULE.

RATE

Base Charge	\$ 14.01
1st 2,000 KWH	10.994¢ per KWH
All additional KWH	10.040¢ per KWH

Plus \$7.70 Per Month for Three Phase Service

PAYMENT

Payment under this SCHEDULE shall be in conformance with the "SERVICE REGULATIONS" as referenced above.

STATE SALES TAX

Sales tax as imposed by the State of North Carolina will be shown as a separate item on each monthly bill.

This SCHEDULE was adopted by formal action of the City Council, City of Laurinburg, North Carolina, at the meeting on June 20, 2017; to be in effect for bills rendered on and after August 1, 2017.

EXHIBIT A
ORINANCE NO. O-2017-14

CITY OF LAURINBURG, NORTH CAROLINA

SCHEDULE MCS
MEDIUM CHURCH SERVICE

AVAILABILITY

Available only for church use for lighting, cooking, heating, refrigeration, and having a demand greater than 30 KW.

Space shall be provided on the property for the installation of all facilities necessary for the City to install the service equipment.

The Utility will install primary service, and necessary transformation at a location on the customer's property which is mutually agreed upon. Such location may be adjacent to the building complex, but in any event, shall be on the near side of the complex toward the Utility's primary lines. Coordination of the secondary connection shall be mutually agreed upon. The Utility reserves the privilege of metering on either the primary or secondary side of the transformer.

Should the customer request underground service, the SERVICE REGULATIONS and other Regulations relative to underground service shall apply.

SERVICE REGULATIONS

The applicable provisions of the current SERVICE REGULATIONS are made a part of this SCHEDULE.

TYPE OF SERVICE

The City will furnish 60-cycle service through one meter at one of the following voltages:

Single phase, 120/240 volt

Three phase, 120/208 volt or three phase 277/480 volt, 4 wire, WYE connected circuit.

Three phase, 14.4/24.9 KV, 4 wire WYE connected circuit.

(Prospective consumers should ascertain the available type of service by inquiry at the City Hall before purchasing equipment.)

Customers shall provide three phase protection. The City will not be liable for single phasing of any installation.

RATE

Minimum \$ 225.53

Demand Charge

\$ 225.53 for the first 30 KW Billing Demand

\$ 7.41 per KW for All above 30 KW Billing Demand

Energy Charge

5.978 ¢ Per KWH for all the KWH

BILLING DEMAND

The Billing Demand shall be the maximum KW registered for the billing month on the demand meter during a 15 minute interval, but not less than 80% of the Demand Peak measured during the preceding 12 month period, or in no event less than 30 KW.

Where the power factor of the consumer's installation is less than 85%, the City may correct the KW demand for that month by multiplying by 85 and dividing by the actual power factor.

PAYMENT

Payment under this SCHEDULE shall be in conformance with the "SERVICE REGULATIONS" as referenced above.

STATE SALES TAX

Sales tax as imposed by the State of North Carolina will be shown as a separate item on each monthly bill.

This SCHEDULE was adopted by formal action of the City Council, City of Laurinburg, North Carolina, at the meeting on June 20, 2017; to be in effect for bills rendered on and after August 1, 2017.

EXHIBIT A
ORDINANCE NO. O-2017-14

CITY OF LAURINBURG, NORTH CAROLINA

SCHEDULE MSS
MEDIUM SCHOOL SERVICE

AVAILABILITY

Available only for school use for lighting, cooking, heating, refrigeration, and having a demand greater than 30 KW.

Space shall be provided on the property for the installation of all facilities necessary for the City to install the service equipment.

The Utility will install primary service, and necessary transformation at a location on the customer's property which is mutually agreed upon. Such location may be adjacent to the building complex, but in any event, shall be on the near side of the complex toward the Utility's primary lines. Coordination of the secondary connection shall be mutually agreed upon. The Utility reserves the privilege of metering on either the primary or secondary side of the transformer.

Should the customer request underground service, the SERVICE REGULATIONS and other Regulations relative to underground service shall apply.

SERVICE REGULATIONS

The applicable provisions of the current SERVICE REGULATIONS are made a part of this SCHEDULE.

TYPE OF SERVICE

The City will furnish 60 cycle service through one meter at one of the following voltages:

Single phase, 120/240 volt

Three phase, 120/208 volt or three phase 277/480 volt, 4 wire WYE connected circuit.

Three phase, 14.4/24.9 KV, 4 wire WYE connected circuit.

(Prospective consumers should ascertain the available type of service by inquiry at the City Hall before purchasing equipment)

Customers shall provide three-phase protection. The City will not be liable for single phasing of any installation.

RATE

Minimum \$ 258.06

Demand Charge

\$ 258.06 for the first 30 KW Billing Demand

\$ 7.50 per KW for All above 30 KW Billing Demand

Energy Charge

6.428 ¢ Per KWH for all the KWH

BILLING DEMAND

The Billing Demand shall be the maximum KW registered for the billing month on the demand meter during a 15 minute interval, but not less than 80% of the Demand Peak measured during the preceding 12 month period, or in no event less than 30 KW.

Where the power factor of the consumer's installation is less than 85%, the City may correct the KW demand for that month by multiplying by 85 and dividing by the actual power factor.

PAYMENT

Payment under this SCHEDULE shall be in conformance with the "SERVICE REGULATIONS" as referenced above.

STATE SALES TAX

Sales tax as imposed by the State of North Carolina will be shown as a separate item on each monthly bill.

This SCHEDULE was adopted by formal action of the City Council, City of Laurinburg, North Carolina, at the meeting on June 20, 2017; to be in effect for bills rendered after August 1, 2017.

EXHIBIT A
ORDINANCE NO. O-2017-14

Load Management Program
Credits to Participating Customers

Air Conditioning Control - \$9.00 each month for bills rendered on the first of the months of July, August, September, and October or a total of \$36.00 per year.

This Program was adopted by formal action of the City Council, City of Laurinburg, North Carolina, at the meeting on June 20, 2017; to be in effect for bills rendered on and after August 1, 2017.

EXHIBIT A
ORDINANCE NO. O-2017-14

CITY OF LAURINBURG, NORTH CAROLINA

RIDER RER

RESIDENTIAL SERVICE RIDER
RENEWABLE ENERGY GENERATION RIDER
(Experimental)

AVAILABILITY

Available to residential customers in conjunction with any of the City's Residential Rate Schedules. A request for service under this Rider shall be subject to the City's approval, which will include an approval from the City's Wholesale Electric Supplier under the conditions in the Power Coordination Agreement.

This Rider is applicable to customers who operate an approved renewable generating system, without battery storage, located and used at the customer's primary residence, where part or all the electrical requirements of the customer can be supplied from the customer's generating system.

The rated capacity of the generating system shall not exceed the lesser of the Customer's estimated maximum monthly demand or 20 KW. The generating system will be connected in a bilateral metering arrangement. The installation must be manufactured, installed, and operated in accordance with governmental and industry standards and in accordance with all requirements of the local codes and must fully conform with the City's applicable renewable energy generation application and attachments. The applicable provisions of the basic Rate Schedules that would otherwise apply to the particular service.

The rider is available on case-by-case bases until the City's renewable limit is exceeded, per the City's Electric Supplier under the conditions in the Power Coordination Agreement.

TYPE OF SERVICE

The City will furnish 60-cycle service through one meter at one of the following voltages:

Single phase, 120/240 volt

Three phase, 120/208 volt or three phase 277/480 volt, 4 wire WYE connected circuit.

(Prospective consumers should ascertain the available type of service by inquiry at the City Hall before purchasing equipment.)

Customers shall provide three-phase protection. The City will not be liable for single phasing of any installation.

SERVICE REGULATIONS

The applicable provisions of the current SERVICE REGULATIONS are made a part of this SCHEDULE.

Should the customer request underground service; the SERVICE REGULATIONS and other Regulations relative to underground service shall apply.

SPECIAL CONDITIONS

Customers shall apply for this Experimental Rate by requesting the Rider and affirming all information as described on the APPLICATION and AGREEMENT Form.

1. Customer must complete and submit an "Application for Interconnecting an Approved Renewable Energy Generating System and pay a One Hundred (\$100) non-refundable processing fee. Upon receipt page two of the Application "Certificate of Completion for Renewable Energy System form will be completed by the City of Laurinburg prior to the customer receiving service under this Rider. The Agreement shall include the renewable energy generator interconnection standards for systems up to twenty (20) KW that describes the conditions related to interconnection with the City's Electric System.
2. Customer's service installation and transaction shall be a bilateral arrangement with two standard residential meters, one which measure all provided by the City for energy consumed by the customer, and the other meter to measure the output of the customer's generator.
3. If the City determines that it is necessary to install extra dedicated equipment to protect the safety and adequacy of electric service provided to its Customers, the Customer shall pay a monthly facilities charge of 2% of the installed cost of any additional equipment.
4. The City shall have the right to install, operate, and monitor special equipment to measure Customer's electric load, generating system output, or any part of installation to obtain any other data necessary to determine the operating load characteristics and effects of the installation.
5. The City reserves the right to test the Customer's installation and equipment for compliance with the applicable interconnection standards. Should the City determine that the customer's installation and equipment is in violation of the interconnection standards, The City shall terminate service under this Rider until the equipment is repaired to the satisfaction of the City personal? In the event that the Customer violated any Terms or conditions of this Rider, the service under this Rider will be terminated immediately.

RENEWABLE ENERGY CERTIFICATES

All "renewable energy certificates" (RECS), associated with the solar photo-voltaic generation system shall be conveyed to the City and the Customer certifies that the RECS have not and will not be remarketed or otherwise resold for any purpose, including another renewable energy portfolio standard or voluntary purchase of renewable energy certificates in North Carolina or in any other state or country for the Contract period.

CONTRACT PERIOD

The Contract Period for service under this Rider shall be one (1) year and thereafter shall

be renewed for successive one-year periods. After the initial one-year period, the Customer may terminate service under this Rider by giving sixty (60) days previous notice of the date of termination to the City Billing Department. The City may terminate service under this Rider at any time upon written notice to the Customer (Special Conditions - item 5)

ADDITIONAL CHARGES

The Customers shall pay a One Hundred dollar (\$100) non-refundable processing fee at the time of application.

The Customer shall pay an additional meter charge of three dollars (\$3.00) a month for meter reading and accounting services.

MONTHLY CREDIT

Option 1 - Energy measured as Kilowatt-hours (KWH) at the renewable energy generator meter shall be credited at the approved NCEMPA rate of 4.87¢/KWH

Option 2 – Customers with qualified systems may apply for a Contract with North Carolina Green Power (NCGP) for credits. If the Customer chooses this option, The City will provide monthly billing information to the Customer as required by NCGP. The City will not provide any credits to the Customer during the NCGP contract period.

PAYMENT

Payment under this SCHEDULE shall be in conformance with the "SERVICE REGULATIONS" as referenced above.

STATE SALES TAX

There are no sales taxes paid for purchased electricity.

This SCHEDULE RIDER was adopted by formal action of the City Council, City of Laurinburg, North Carolina, at the meeting on June 20, 2017; to be in effect for bills rendered on and after August 1, 2017.

EXHIBIT A
ORDINANCE NO. O-2017-14

CITY OF LAURINBURG, NORTH CAROLINA

SCHEDULE PR
RECREATIONAL PARK SERVICE

AVAILABILITY

Available only for Ball Parks and other such in association with **Public** Recreational facilities as a part of a non-profit endeavor.

TYPE OF SERVICE

The City will furnish 60-cycle service through one meter, at one delivery point, at the following approximate voltage:

Single Phase, 120/240 Volts

Three Phase, 120/208 Volts or Three Phase 277/480 volt, 4 wire WYE

SERVICE REGULATIONS

The applicable provisions of the current SERVICE REGULATIONS are made a part of this SCHEDULE.

RATE

Minimum	\$5.50
Flat Rate	14.000¢ per KWH

PAYMENT

Payment under this SCHEDULE shall be in conformance with the "SERVICE REGULATIONS" as referenced above.

STATE SALES TAX

Sales Tax as imposed by the State of North Carolina will be shown as a separate item on each monthly bill.

This SCHEDULE was adopted by formal action of the City Council, City of Laurinburg, North Carolina, at the meeting on June 20, 2017; to be in effect for bills rendered on and after August 1, 2017.

ATTACHMENT A
ORDINANCE NO. O-2021-25

**BILATERAL METERING FOR RENEWABLE ENERGY
GENERATION RIDER - RESIDENTIAL SERVICE-RE**

AVAILABILITY

This Rider is available in conjunction with the City's Residential Service electric rate tariff for Customers operating a solar/photovoltaic system, without battery storage, located and used at the Customer's primary residence, where part or all of the electrical requirements of the customer can be supplied from the Customer's generating system.

Rated capacity of the generating system shall not exceed the lesser of the Customer's estimated maximum monthly kilowatt demand or 10 kW for residential systems. The generating system that is connected in parallel operation with service from the City and located on the Customer's premises must be manufactured, installed, and operated in accordance with governmental and industry standards and must fully conform with the City's applicable renewable energy interconnecting interface criteria.

This Rider is available on a first-come, first-serve basis, except that the aggregate capacity of the Customer's generator shall not exceed 5% of the City's retail peak load for the prior calendar year. If a Customer's proposed installation results in exceeding the limit, the Customer will be notified that service under this Rider will not be allowed. In no event will energy delivered to the City be used to offset purchases in a different period or a different season.

TYPE OF SERVICE - This Rider is applicable to single phase residential electric service of the same available type supplied to Customer's premises at one point of delivery.

ADDITIONAL METER CHARGE - The Customer shall pay an additional meter charge of \$3.00 per month for meter reading and account servicing.

MONTHLY CREDIT - Energy measured as kilowatt-hours at the renewable energy generator meter shall be credited at \$0.0519 per kWh effective as of August 1, 2021 in increments of the nearest kWh units. Said rate shall be reviewed annually and/or at such time as a wholesale rate increase is received by the City.

Customers with qualified systems are encouraged to also apply for NCGP credits through the NC Green Power Program <http://www.ncgreenpower.org/>.

SPECIAL CONDITIONS

1. Customer must fill out and submit an "Application for Interconnecting a Residential Photovoltaic Facility - Page 1" which can be obtained from the Consumer Billing Department, a \$100 non-refundable processing fee, and a "Certificate of Completion for Residential Photovoltaic Facility - Page 2" form prior to receiving service under this Rider. Agreement shall include the renewable energy generator interconnection standards for systems up to 10 kilowatts capacity for residential systems that describes the conditions related to interconnection of with City's electrical system.
2. Customer's service installation and transaction shall be a bilateral arrangement with two standard residential meters, one of which will measure all energy provided by the City for energy consumed by the customer, and the other meter to measure the output of the customer's generator.
3. In the event City determines that it is necessary to install a dedicated transformer or other equipment to protect the safety and adequacy of electric service provided to other customers, Customer shall pay a Monthly Facilities Charge of 2% of the installed cost of said additional facilities. The minimum Monthly Facilities Charge shall not be less than \$25.00.
4. Customer grants City the right to install, operate, and monitor special equipment to measure Customer's load, generating system output, or any part thereof and to obtain any other data necessary to determine the operating characteristics and effects of the installation. Customer also grants City the right to utilize Customer's telephone line to transmit data from City's meter and special equipment.
5. The City reserves the right to test the Customer's equipment for compliance with the applicable interconnection standards. Should the City determine that the equipment is in violation of the interconnection standards, the City shall disconnect the equipment and it shall remain disconnected until the equipment is repaired to the satisfaction of the authority responsible for inspection of the installation.

CONTRACT PERIOD - Contract Period for service under this Rider shall be one year and thereafter shall be renewed for successive one-year periods. After the initial period, Customer may terminate service under this Rider by giving at least sixty (60) days previous notice of such termination in writing to the City. The City may terminate service under this Rider at any time upon written notice to Customer. In the event that Customer violates any of the terms or conditions of this Rider, or operates the generating system in a manner which is detrimental to the City or its customers, service under this Rider may be terminated immediately.

This SCHEDULE was adopted by formal action of the City Council, City of Laurinburg, North Carolina, at the meeting on July 20, 2021; to be in effect for bills rendered on and after August 1, 2021.

City of Laurinburg, North Carolina
Residential Photovoltaic Interconnection Application

Page 1 – Application for Interconnecting a Residential Photovoltaic Facility

Application for the installation and operation of a renewable resource facility with a maximum rated output not to exceed 10 kW interconnected with the City's electric utility system.

Section 1 – Applicant Information

Name:			
Mailing Address:			
City:	State:	Zip Code:	Facility Location (if different from above)
Telephone (Daytime)		Evening:	
Email Address:		Residential Electric Account # (from bill)	

Section 2 – System Technical Information

Solar collector Manufacturer, Model #:			
Number of Panels to be installed:		Combined Output Power Rating: (kW)	
Inventor Manufacturer, Model #			
Number to be installed:		Combined Output Power Rating: (kW)	

Will a system disconnect device, accessible to the city be installed: Yes No

If the Owner elects not to install a manual disconnect device accessible to the city, the Owner assumes all risks and consequences when a service meter must be "pulled" to disconnect the system thereby also interrupting all utility electric service to the customer site.

Section 3 – Installation Details

Installing Electrician:		Company:	NC License #
Mailing Address:			
City:	State:	Zip Code:	Telephone (Daytime)
Email:			
Installation Date:		Requested Service Date:	

Section 4 – Equipment Certification

Systems that utilize inverter technology must be compliant with the latest published edition of *IEEE 929, Underwriters Lab. UL 1741 and must bear the UL listing label.* Compliance documentation must be submitted with this application.

I hereby certify that, to the best of my knowledge, the installed equipment meets the appropriate preceding requirement(s), and that all of the information provided in the Interconnection Application is true and correct. I also agree to install a Warning Label approved by the city on or near my service meter location.

Print Name:	Date:
Signature of Applicant:	

Please return this original Page 1 with \$100.00 fee to the City of Laurinburg, North Carolina to continue to project review and processing. Inquire at (910) 276-1521 for instructions regarding the return of this interconnection agreement.

Section 5 – Initial Equipment Installation Approval

The City of Laurinburg electric division grants initial approval for the equipment listed in the application. Final approval shall be subject to adherence of applicable regulators and requirements.

Signed (City of Laurinburg, NC):	Date:
Print Name:	

Section 6 – Installation Certification

Supply certification that the system has been installed and inspected in compliance with the local Building and Electrical code.

--

Has the appropriate warning label been installed near the city supply meter? Yes No

Signed (Inspector): (In lieu of signature of Inspector, a copy of the final inspection certificate may be attached)
Print Name:

Please return this original page 2 to the City of Laurinburg for final review. Inquire at (910) 276-2364 for instructions regarding the return of this completion agreement.

Section Below for City Use Only

Section 7 – Final Disposition

City: Has Approved This Interconnection Application Has Denied this Interconnection Application

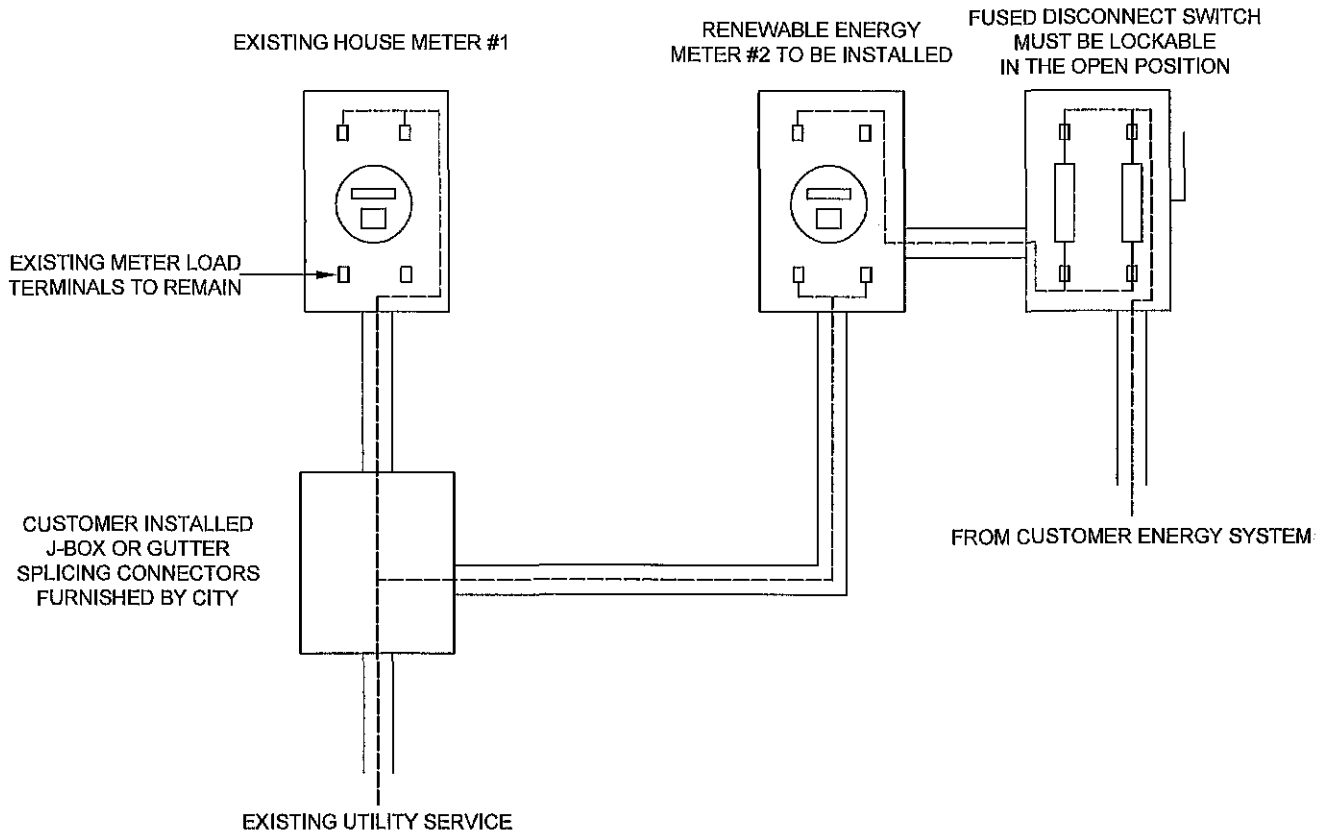
		Date:
Signature		
Reason for Denial		

Approval to connect to the City system indicates only that the minimum requirements for a safe proper interconnection have been satisfied. Such approval does not imply that the Owner’s facility meets all federal, state and local standards or regulations.

Section 8 – Internal Notifications

Billing Department Notified of Interconnected System	<input type="checkbox"/> Yes <input type="checkbox"/> No
Residential Electric Account #	

CITY APPROVED WARNING LABELS SHALL BE INSTALLED TO WARN OF CONNECTION FROM MULTIPLE VOLTAGE SOURCES



WIRING AND RACWAYS TO BE SIZED AND INSTALLED IN ACCORDANCE WITH ALL APPLICABLE LOCAL, STATE, AND NATIONAL CODES.

TO BE INCLUDED WITH INTERCONNECTION APPLICATION FURNISHED TO CUSTOMER.

CITY OF LAURINBURG
LAURINBURG, NORTH CAROLINA

RENEWABLE ENERGY METERING, DISCONNECT, AND ONLINE DIAGRAM